

NAV-TV

INTERFACING THE FUTURE

3950 NW 120th Ave, Coral Springs, FL 33065 TEL 561-955-9770 FAX 561-955-9760

Volt VIM

Video in Motion for Chevrolet Volt

NTV-KIT393

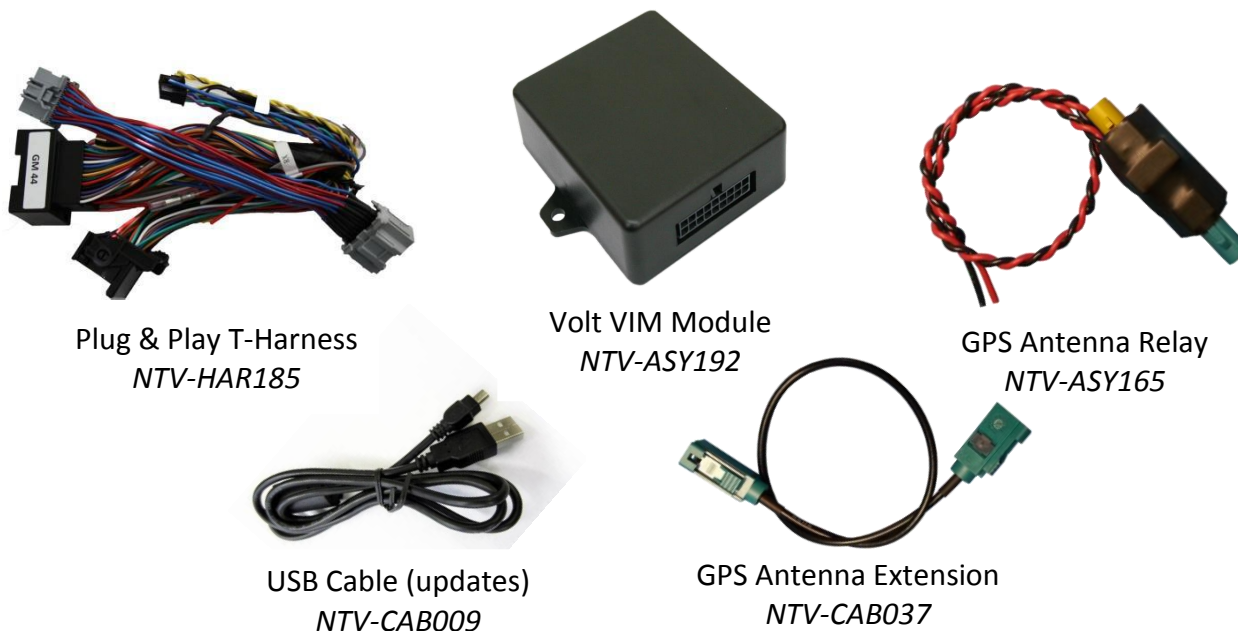


BHM
03/03/14
NTV-DOC104

Overview

The Volt VIM bypasses the factory lockout that inhibits the passenger from watching DVD video or inputting navigation destinations while the vehicle is in motion. The in-motion function is normally off, and is activated by the user whenever DVD video or navigation destinations need to be enabled.

Kit Contents



Plug & Play T-Harness
NTV-HAR185

Volt VIM Module
NTV-ASY192

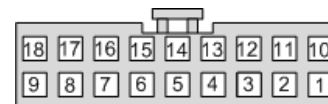
GPS Antenna Relay
NTV-ASY165

USB Cable (updates)
NTV-CAB009

GPS Antenna Extension
NTV-CAB037

Volt VIM Module pin out

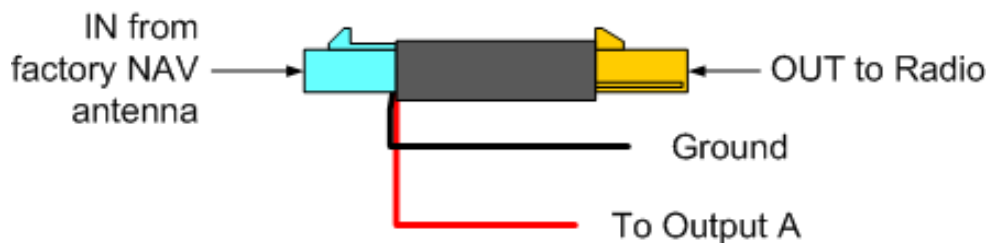
Pin #	Description	Color
1	12v Constant (+)	Yellow
2	Input 1 (12v VIM activation)	Red
6	Cam Signal (Radio Side)	Yellow
7	Camera Shield	Yellow/Black
8	VSS (Radio Side)	Brown
9	GM LAN (Radio Side)	Green
10	Ground (-)	Black
11	Reverse Signal	White/Red
12	Output A (GPS Ant Break)	White/Blue
13	Output B (ACC Power OUT)	White/Purple
15	Front Cam Video IN	Yellow (RCA)
16	Rear Cam Video IN	Black (RCA)
17	VSS (Car Side)	Blue
18	GM LAN (Car Side)	Purple



Wire Side View

Agreement: End user agrees to use this product in compliance with all State and Federal laws. NAV-TV Corp. would not be held liable for misuse of its product. If you do not agree, please discontinue use immediately and return product to place of purchase. This product is intended for off-road use and passenger entertainment only.

GPS Antenna Relay Board



***Note: The factory Navigation antenna will be dark blue.**

Volt Dash Disassembly

1. Remove the plastic trim ring around the shifter using a plastic pry tool.



2. Once removed, there are (2x) 7mm screws that must be removed.



3. Gently pry around the radio/HVAC bezel, the trim will pull straight out.



4. Disconnect all harnesses attached to the bezel.

5. Remove (4x) 7mm screws around the radio stack.



6. Remove the radio, disconnect all harnesses and set the radio aside.

Volt VIM Installation

1. Connect the main, OEM 44-pin radio power harness to the female side of the provided **Plug & Play T-Harness** (44-pin section). Make sure the lock connects securely.
2. Connect the OEM 20-pin connector to the female side of the provided **Plug & Play T-Harness** (20-pin section).
3. Connect the Volt VIM Module to 18-pin Molex connector located on the provided **Plug & Play T-Harness**.
4. **If the vehicle is equipped with navigation:** the OEM blue FAKRA (GPS) antenna cable needs to be plugged into the aqua connector on provided **GPS Antenna Relay Board**.
 - a. The black wire on the relay board must connect to chassis ground.
 - b. The red wire connects to the White/Blue wire on the VIM module labeled '**OUTPUT A**'
 - c. The provided **GPS Antenna Extension Cable** plugs into the mustard colored connector on the GPS relay board. The other end plugs into the **blue GPS** connector on the rear of the OEM radio.
5. Mount the module in the rear of the radio cavity. There is an opening in which the module and excess wiring can be inserted.
6. Reconnect all the connections behind the radio head, reassemble the radio and test.

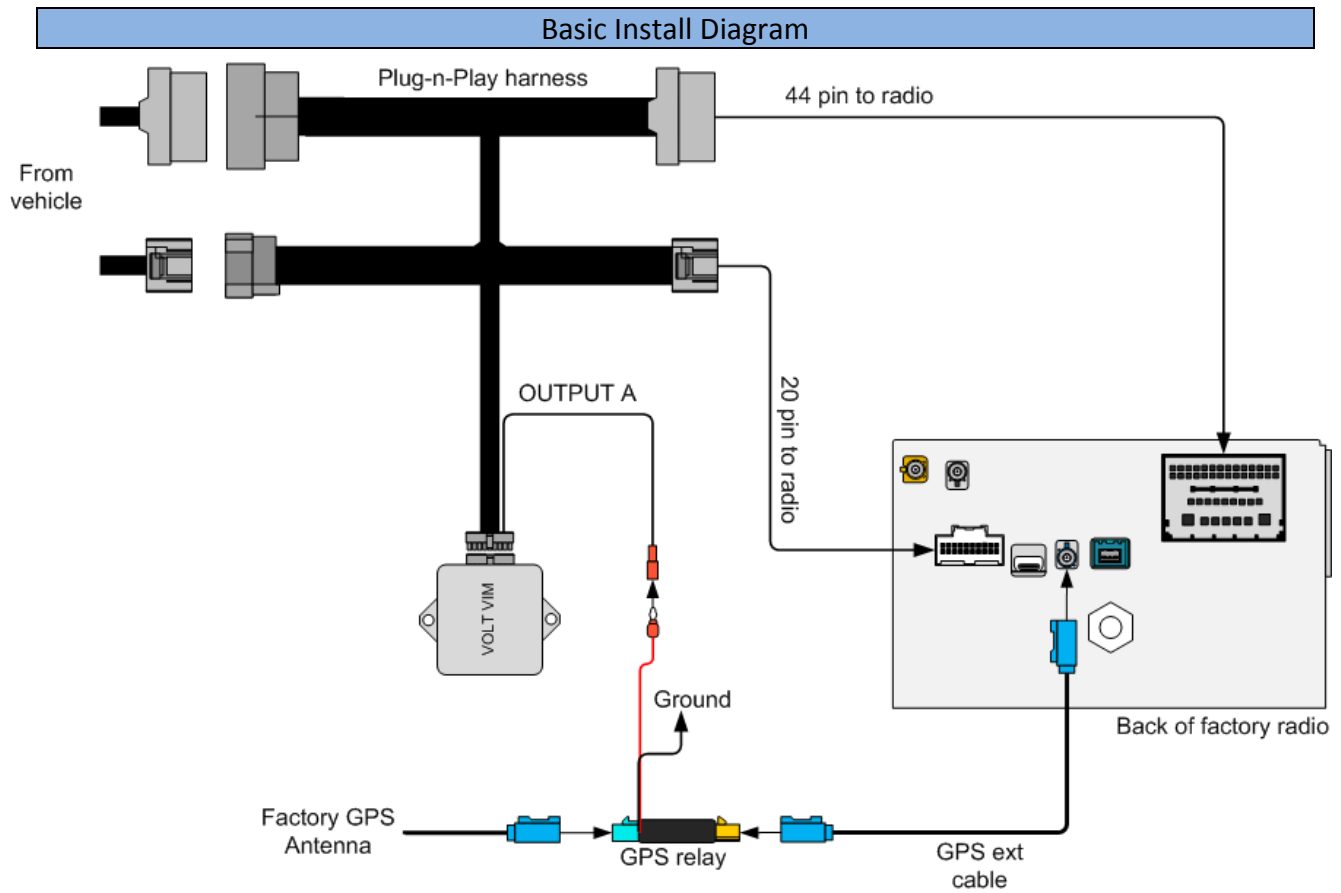


Volt VIM Operation

- The vehicle needs to be running. On the steering wheel, press the **MUTE** button 2x to toggle the VIM function on and off. When used for navigation entry, VIM must be deactivated to allow the navigation system to track the vehicle and provide turn-by-turn directions. If the steering wheel control is not desirable or available, a manual toggle switch, connected to +12v on one side and the Input 1 wire (Pin2) on the other, can also be used to turn the VIM function on and off.



Agreement: End user agrees to use this product in compliance with all State and Federal laws. NAV-TV Corp. would not be held liable for misuse of its product. If you do not agree, please discontinue use immediately and return product to place of purchase. This product is intended for off-road use and passenger entertainment only.



FAQ's

Q. Does Video in Motion stay enabled all the time?

A. No, the user will need to enable VIM every time the key is cycled.

Q. I enable VIM, video will show when the vehicle is in drive, but I will get a disclaimer on the screen and the video stops showing when I start rolling.

A. Verify that the GPS antenna break is installed. It is required to disable GPS tracking, otherwise the GPS signals will tell the radio the vehicle is moving.

Q. When VIM is enabled, I can input a navigation destination, but the navigation won't track.

A. VIM has to be disabled for the navigation system to track your current location and destination.

For technical assistance on installation or usage call NAV-TV at (866) 477-3336. Be sure that the vehicle is there for troubleshooting and proper diagnostic tools are available, i.e. multi-meter, cutters, etc.

Agreement: End user agrees to use this product in compliance with all State and Federal laws. NAV-TV Corp. would not be held liable for misuse of its product. If you do not agree, please discontinue use immediately and return product to place of purchase. This product is intended for off-road use and passenger entertainment only.