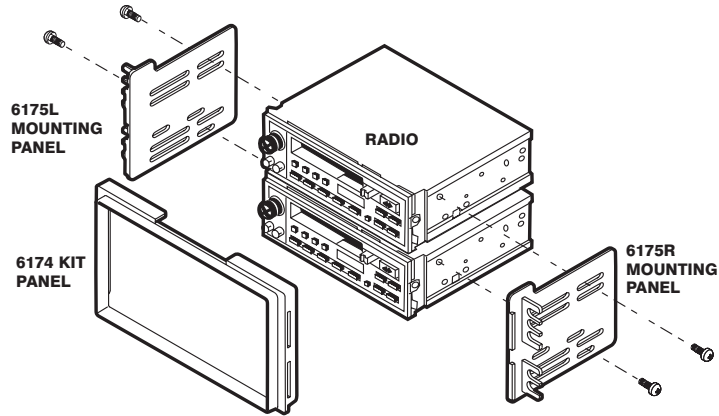


MOUNTING THE RADIO

ISO DIN MOUNT (DIN-E with side mounting brackets)

1. Align right side of ISO mounting bracket 6175R and left side ISO mounting bracket 6175L with kit panel 6174. Place mounting brackets with matching locating slots on kit panel (two slots on each side).
2. Align ISO DBLDIN radio. Use hardware supplied with radio to bolt the 6175L/R



RADIO REMOVAL

2001-06 Hyundai Elantra

RADIO REMOVAL:

1. Remove ash tray and extract (2) Phillips screws, pull off bottom dash bezel, disconnect and remove.
2. Extract (2) Phillips head screws along top of instrument cluster.
3. Using panel removal tool, pry out dash bezel carefully disconnects and remove.
4. Extract (6) Phillips head screw securing radio and pocket disconnect and remove.

2002-05 Hyundai Sonata

RADIO REMOVAL:

1. Using panel removal tool, unsnap radio bezel, unplug and remove. Extract (4) Phillips screws securing radio, disconnect and remove

2003-06 Hyundai Tiburon

RADIO REMOVAL:

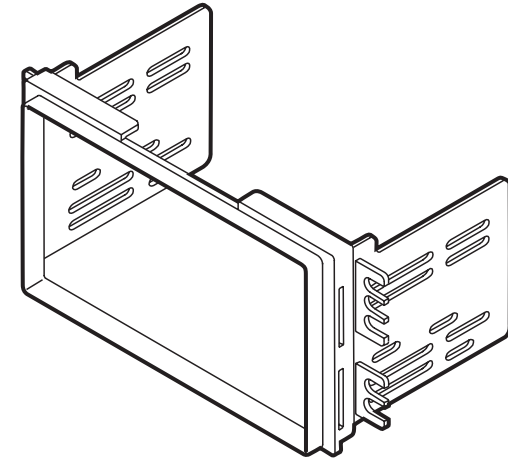
1. Using panel removal tool, pry out radio bezel, disconnect and remove.
2. Extract (4) Phillips head screws securing radio, disconnect and remove.

SCOSCHE

HY1618B

IN-DASH INSTALLATION KIT FOR 2001-UP HYUNDAI DOUBLE DIN

HYUNDAI
2001-06 ELANTRA
2002-05 SONATA
2003-06 TIBURON



INTRODUCTION / PRELIMINARY

This premium installation kit is for 2001-Up Hyundai Double DIN vehicles. Included are all the parts you need to mount your car stereo/cassette or CD player into your vehicle's dash. Refer to the individual instruction in this manual to remove your vehicle's factory radio and assemble the kit.

CAUTION:

DISCONNECT YOUR VEHICLE'S NEGATIVE BATTERY TERMINAL BEFORE THE INSTALLATION TO HELP PREVENT ELECTRICAL DAMAGE. WE RECOMMEND THE USE OF A VOLT/OHM METER OVER A TEST LIGHT TO CHECK WIRING. A TEST LIGHT OR GROUNDED WIRE PROBE CAN CAUSE DAMAGE TO THE VEHICLE'S COMPUTER AND/OR DIAGNOSTIC SYSTEMS. AVOID ALL FACTORY AIRBAG WIRING - AIRBAGS CAN ACCIDENTALLY DEPLOY CAUSING SERIOUS INJURY OR DEATH.

NOTES:

- See your vehicle's instructions for any special tools your installation might require.
- Read all instructions accompanying your car stereo/cassette player for proper wiring and mounting instructions.

CAR STEREO CONNECTORS

PROVIDE EASY CONNECTION OF YOUR CAR STEREO TO FACTORY WIRING HARNESS.

HY03

2000-Up Hyundai
Sonata/Accent/
Elantra

HY04

2000-Up Hyundai
Tiburon



LIABILITY DISCLAIMER

This instruction booklet is based on carefully documented data and research of automobile dash disassembly, wire harness/ codes and information pertaining to installation of this kit (HY1618B) in 2001-Up Hyundai Double DIN Vehicles. Scosche Industries, Inc. can not be held responsible for discrepancies/inconsistencies that may occur due to the automobile manufacturing changes or options, or damage that may occur in the automobile during the installation of components while using this booklet.