



L.O.C.PRO™ LPGL-2

Universal Ground Loop Isolator

The professional way to eliminate noise

Installation Instructions

Install It Right with L.O.C. PRO™

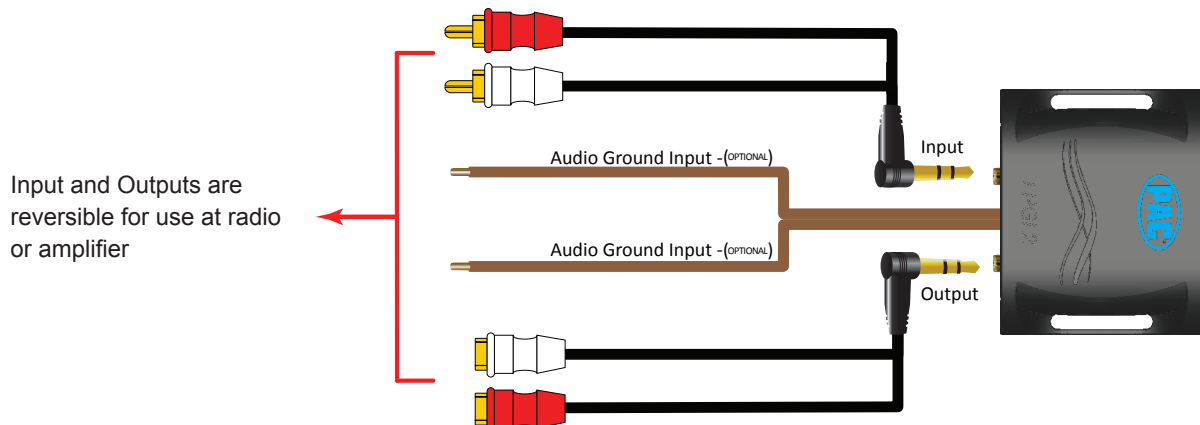
Don't cheat yourself out of all the performance your audio system can deliver. Noise is the enemy, but we don't want to sacrifice audio quality to eliminate it. The PAC L.O.C.PRO™ Universal Ground Loop Isolator will eliminate that unwanted alternator "whine" or ignition "ticking" while retaining the original audio quality from bass to treble. This universal module works with standard RCA connections commonly found in car audio or 3.5mm headphone style audio cables for use with smartphones or portable media players. PAC L.O.C.PRO™ interfaces have been professionally designed for those who want the very best.

General Overview

The L.O.C.PRO™ LPGL-2 can be utilized for minimizing or eliminating noise in either RCA or 3.5mm applications. Utilizing precision transformers to break ground loop potential while retaining full audio fidelity. The L.O.C.PRO™ LPGL-2 is easy to install and features a compact housing for expanded mounting options. Inputs are reversible for installation at source unit or at amplifier.

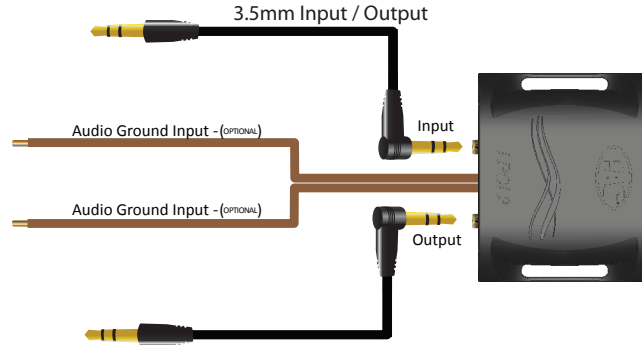
RCA Level Input - Output

Commonly used to solve noise problems in car audio systems. When utilizing the L.O.C.PRO™ LPGL-2 for RCA input/output connect the male and female adapters to the LPGL-2. These can be reversed if connecting at the radio or the amplifier. Most applications will not require connection of the ground wires. If noise is still present, on a clean grounding point, try temporarily connecting one ground at a time. Then alternating between the two and finally connecting both. Test the system and permanently make the connections with the best sounding configuration. Mount the LPGL-2 using wire ties, screws or double tape.



3.5mm Audio to 3.5mm Audio

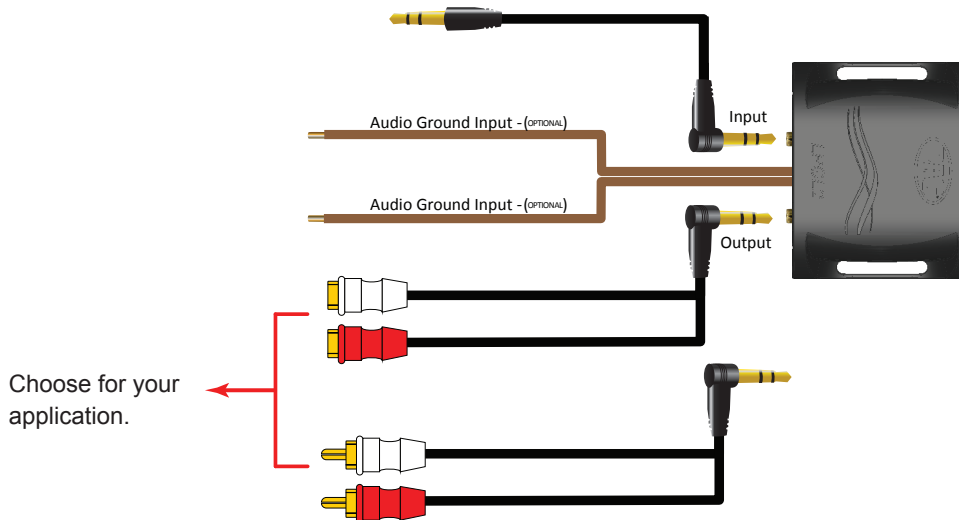
Commonly used when using a Smartphone as a 3.5mm audio input and noise enters phone through the phone charger. When utilizing the L.O.C.PRO™ LPGL-2 for 3.5mm input/output disconnect the original 3.5mm cable and connect it to the input of LPGL-2. Then connect the included 3.5mm output cable to the original input point and the output from the LPGL-2. Most applications will not require connection of the ground wires. If noise is still present, on a clean grounding point try temporarily connecting one ground at a time, alternating between the two and finally connecting both. Test the system and permanently make the connections with the best sounding scenario. Mount the LPGL-2 using wire ties, screws or double tape.



Note: Only One 3.5mm cable is included with interface

3.5mm Audio to RCA Audio

When utilizing the L.O.C.PRO™ LPGL-2 for 3.5mm input to RCA output disconnect the original 3.5mm cable and connect it to the input of LPGL-2. Then connect the included 3.5mm to RCA adapter to the LPGL-2 output and the RCA cable input. Most applications will not require connection of the ground wires. If noise is still present, on a clean grounding point try temporarily connecting one ground at a time, alternating between the two and finally connecting both. Test the system and permanently make the connections with the best sounding scenario. Mount the LPGL-2 using wire ties, screws or double tape.



Pacific Accessory Corporation
Santa Ana, CA 92705

techsupport@pac-audio.com • www.pac-audio.com

Copyright 2013 Pacific Accessory Corporation. Content subject to change without notice.